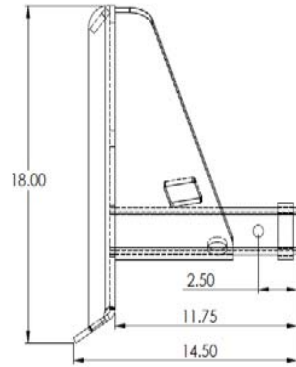
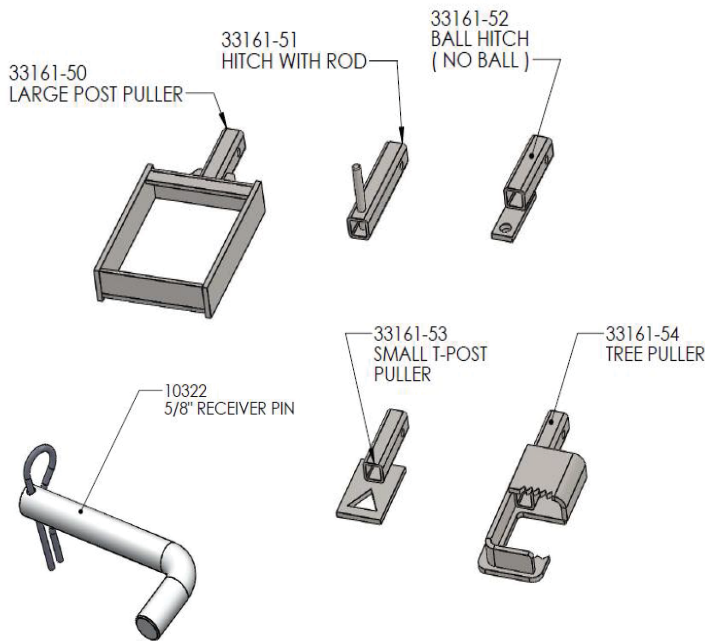


Receiver Plate Model #33015



Receiver Plate Specifications	
Width	45.75"
Height	18"
Depth	14"
Mounting Plate	5/16" A-36 Steel
Gusset	5/16" A-36 Steel
Top Bar	3/8" A-36 Steel
Tube	2-1/2" Seamless tube - Accepts a 2" Receiver Tube
Weight	105 Lbs.



Receiver Plate Accessories		
Model #	Description	Weight
33161-50	Large Post Puller	26 lbs
33161-51	Hitch with Rod	6 lbs
33161-52	Ball Hitch (No Ball)	5 lbs
33161-53	Small T-Post Puller	8 lbs
33161-54	Tree Puller	24 lbs
10322	5/8" Receiver Pin	.75 lbs



Receiver Plate mounts to most loader buckets without tools



Easily add accessories to Receiver Plate



Painted using a 2 part Urethane process for an exceptional finish

Accessories are designed for use with our receiver plate only, 1000 lb lift capacity. Lift limit is determined by Receiver capacity or loader capacity, whichever is less.

LEGEND ATTACHMENTS

Our Quality Is “LEGEND”ARY

Skid Steer Receiver Hitch Plate

F.O.B. Detroit Lakes, MN 56501

ORDER #	Description	Weight	LIST
LA 33015	Receiver Hitch Plate USSM	105	423.00

- *Accepts Standard 2” Receiver Hitch (Not Included)
- * Move Implements, Trailers & Other Equipment With Ease
- * Fits Any Skid Steer W/ Universal Mount



(Receiver Hitch W/ Ball shown Not Included)



4-2022

Prices and Specifications may be subject to change without notice. Prices do not include shipping or setup.